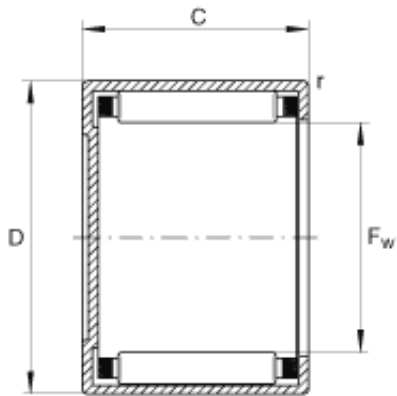




MNT BEARING LTD

INA BCH88 Needle bearing



Bearing No. BCH88

Size	12.7x19.05x12.7 mm
Bore Diameter	12,7 mm
Outer Diameter	19,05 mm
Width	12,7 mm
F_w	1/2 inch
F_w	12,7 mm
D	0,75 inch
D	19,05 mm
C	0,5 inch
C	12,7 mm
m	0,022 lbs / Weight
m	10 g / Weight
C_r	1910 lbf / Dynamic load rating (radial)
C_r	8500 N / Dynamic load rating (radial)
C_{Or}	2120 lbf / Static load rating (radial)
C_{Or}	9400 N / Static load rating (radial)
n_G	18600 1/min / Limiting speed

BCH88 Bearing 2D drawings and 3D CAD models