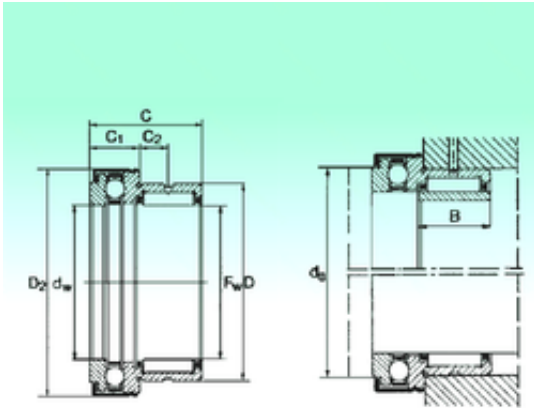




# MNT BEARING LTD

## NBS NKX 15 Z Complex bearing

Bearing No. NKX 15 Z



NKX 15 Z Bearing 2D drawings and 3D CAD models

Size	15x24x23 mm
Bore Diameter	15 mm
Outer Diameter	24 mm
Width	23 mm
d	15 mm
Fw	15 mm
D	24 mm
C	23 mm
C1	9 mm
D1	28,1 mm
D2	29,2 mm
C2	6,5 mm
da	23,7 mm
Weight	0,047 Kg
Dynamic load rating radial (C)	10 kN
Dynamic load rating axial (C)	10 kN
Static load rating radial (C0)	12 kN
Static load rating axial (C0)	16 kN