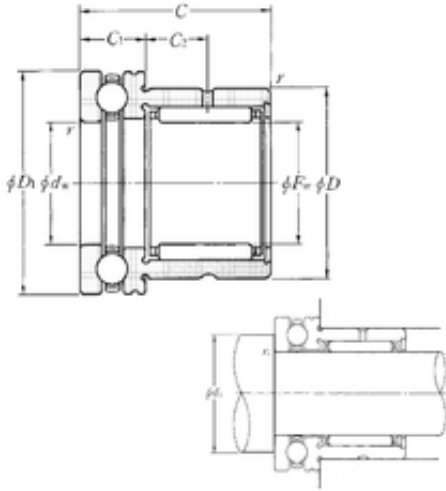




MNT BEARING LTD



NKX45 Bearing 2D drawings and 3D CAD models

NTN NKX45 Complex bearing

Bearing No. NKX45

Bore Diameter	45 mm
Outer Diameter	65 mm
d	45 mm
Fw	45 mm
D	58 mm
D1	65 mm
C	32 mm
r min.	0,6 mm
C1	14 mm
da min.	57 mm
ra max.	0,6 mm
C2	9 mm
Weight	0,252 Kg
Dynamic load rating radial (C)	27,6 kN
Dynamic load rating axial (C)	27,9 kN
Static load rating radial (C0)	59 kN
Static load rating axial (C0)	69 kN
(Grease) Lubrication Speed	3200 r/min
dw	45 mm
rs min	0.6 mm
Dw	2.5 mm
Dw1	7.14 mm
Lw	15.3 mm
Lubrication hole on outer ring	Oui/Yes



MNT BEARING LTD

k	3 mm
Precision class	P0
Mass	0.25 kg
Cr	27.6 kN
Ca	27.9 kN
C0r	59 kN
C0a	69 kN
Nlim (grease)	3,200 rpm
Nlim (oil)	4,600 rpm
Min operating temperature, Tmin	-20 ° C
Max operating temperature, Tmax	120 ° C
da min	57 mm
ras max	0.6 mm
Category	Bearings
Inventory	0.0
Manufacturer Name	NTN
Minimum Buy Quantity	N/A
Weight / Kilogram	0.278
Product Group	B04144