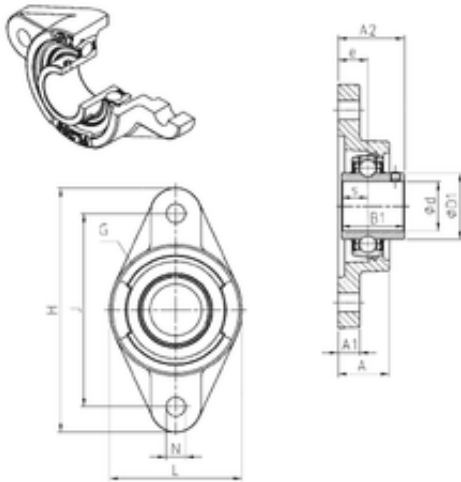




MNT BEARING LTD



SNR UCFL205 Bearing unit

Bearing No. UCFL205

Bore Diameter	25 mm
d	25 mm
e	16 mm
s	14,3 mm
A	27 mm
A1	13 mm
B1	34 mm
D1	34 mm
H	130 mm
J	99 mm
L	68 mm
N	16 mm
Thread (G)	M6x1
A2	35,7 mm
Weight	0,6 Kg
Basic dynamic load rating (C)	14 kN

UCFL205 Bearing 2D drawings and 3D CAD models