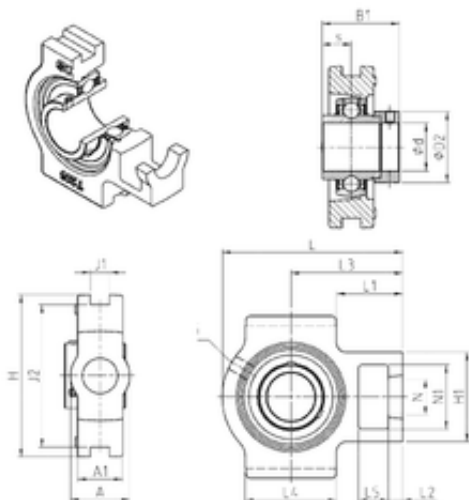




MNT BEARING LTD

SNR EXT305 Bearing unit

Bearing No. EXT305



EXT305 Bearing 2D drawings and 3D CAD models

Bore Diameter	25 mm
d	25 mm
L4	65 mm
L5	16 mm
L2	14 mm
L3	76 mm
s	16,7 mm
A	36 mm
A1	26 mm
B1	46,8 mm
D2	42,8 mm
H	89 mm
H1	62 mm
L	122 mm
L1	43,5 mm
N	26 mm
N1	36 mm
Thread (G)	M6x1
J1	12 mm
J2	80 mm
Weight	1,3 Kg
Basic dynamic load rating (C)	22,36 kN
A2	26 mm
B	34.9 mm
A5	18.2 mm
d1	42.8 mm



MNT BEARING LTD

G	M6x1
H2	62 mm
N2	36 mm
s1	33.35 mm
S	16.7 mm
SW	4 mm
C	22.36 kN
C0	11.5 kN
T min.	-20 ° C
T max.	100 ° C
Recommended tightening torque for set screw	11.5 Nm
Designation of housing	T305-
Designation of bearing	EX305G2