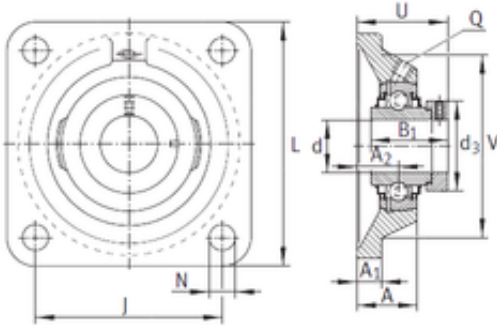




MNT BEARING LTD

INA RCJO70 Bearing unit



RCJO70 Bearing 2D drawings and 3D CAD models

Bearing No. RCJO70

| | |
|-------------------------------|----------------------------|
| Bore Diameter | 70 mm |
| d | 70 mm |
| V | 196 mm |
| U | 85,4 mm |
| Thread (Q) | Rp1/8 |
| d3 | 102 mm |
| A | 54,5 mm |
| A1 | 25 mm |
| B1 | 75,4 mm |
| J | 178 mm |
| L | 226 mm |
| N | 25 mm |
| A2 | 36 mm |
| Weight | 10 Kg |
| Basic dynamic load rating (C) | 104 kN |
| Category | Flange Block Bearings |
| Inventory | 0.0 |
| Manufacturer Name | SCHAEFFLER GROUP |
| Minimum Buy Quantity | N/A |
| Weight / Kilogram | 11.975 |
| Product Group | M06110 |
| Number of Mounting Holes | 4 |
| Mounting Method | Eccentric Collar |
| Housing Style | 4 Bolt Square Flange Block |
| Rolling Element | Ball Bearing |
| Housing Material | Cast Iron |



MNT BEARING LTD

| | |
|------------------------------------|--|
| Expansion / Non-expansion | Non-expansion |
| Mounting Bolts | 25 Millimeter |
| Relubricatable | Yes |
| Insert Part Number | GNE70KRRB |
| Seals | Double Land Riding Rubber Contact |
| Housing Configuration | 1 Piece Solid |
| Pilot Configuration | No Pilot |
| Inch - Metric | Metric |
| Long Description | 4 Bolt Square Flange Block; 70MM Bore; 251.7MM Bolt Circle; 178MM Bolt Spacing; 1 Piece Solid; Eccentric Collar Mount; Cast Iron; Ball Bearing; 75.4MM Length Thru Bore; Relubricatable; Double Land Rid |
| Other Features | Single Row Extended Inner Race With Set Screw |
| Category | Flange Block |
| UNSPSC | 31171501 |
| Harmonized Tariff Code | 8483.20.40.40 |
| Noun | Bearing |
| Keyword String | Flanged |
| Manufacturer URL | http://www.ina.com |
| Manufacturer Item Number | RCJO70 |
| Weight / LBS | 22.05 |
| Bolt Spacing | 7.008 Inch 178 Millimeter |
| Length Thru Bore | 2.969 Inch 75.4 Millimeter |
| Bore | 2.756 Inch 70 Millimeter |
| Cartridge Pilot Diameter | 0 Inch 0 Millimeter |
| Cartridge Pilot Depth | 0 Inch 0 Millimeter |
| Nominal Bolt Circle Diameter Round | 9.9 Inch 251.7 Millimeter |