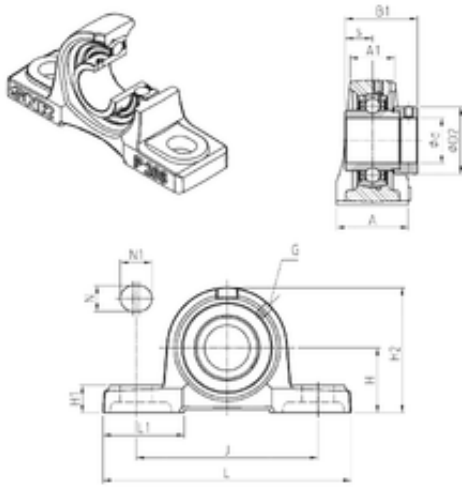




# MNT BEARING LTD



## SNR EXP203 Bearing unit

Bearing No. EXP203

Bore Diameter	17 mm
d	17 mm
s	17 mm
A	38 mm
A1	22 mm
B1	43,5 mm
D2	33,3 mm
H	33,3 mm
H1	15 mm
H2	65 mm
J	95 mm
L	127 mm
L1	42 mm
N	13 mm
N1	19 mm
Thread (G)	M6x1
Weight	0,8 Kg
Basic dynamic load rating (C)	12,8 kN

EXP203 Bearing 2D drawings and 3D CAD models