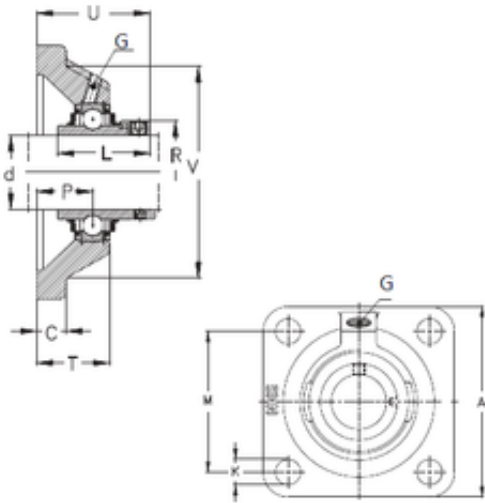




MNT BEARING LTD

NKE RCJO60 Bearing unit

Bearing No. RCJO60



RCJO60 Bearing 2D drawings and 3D CAD models

Bore Diameter	60 mm
d	60 mm
P	33 mm
V	170 mm
U	78,4 mm
K	23 mm
A	195 mm
C	22 mm
L	68,4 mm
M	150 mm
R	89 mm
T	49,5 mm
Thread (G)	R1/8 "