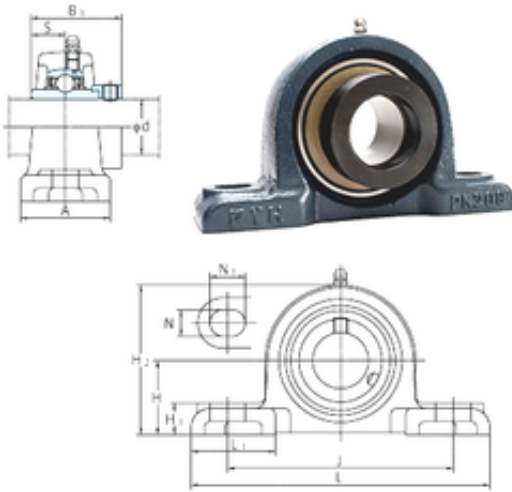




MNT BEARING LTD



FYH NAPK207-23 Bearing unit

Bearing No. NAPK207-23

Bore Diameter	36,5125 mm
d	36,5125 mm
H	46 mm
A	48 mm
B1	51,1 mm
H1	19 mm
H2	92 mm
J	127 mm
L	167 mm
L1	45 mm
N	14 mm
N1	19 mm
S	18,8 mm
Bolt (G)	1/2
Weight	2 Kg
Basic dynamic load rating (C)	25,7 kN
Basic static load rating (C0)	15,4 kN

NAPK207-23 Bearing 2D drawings and 3D CAD models