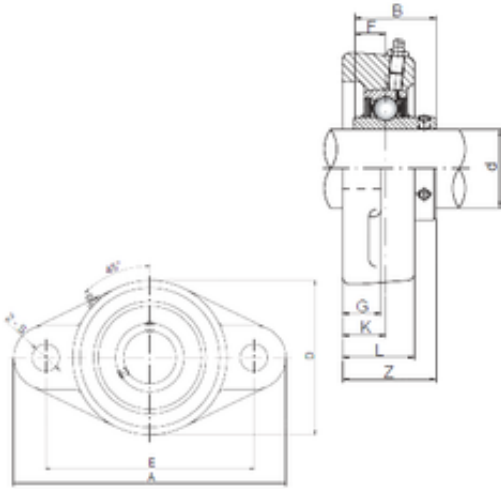




MNT BEARING LTD

60 mm x 140 mm x 65,1 mm ISO UCFL212 Bearing unit

Bearing No. UCFL212



UCFL212 Bearing 2D drawings and 3D CAD models

Bore Diameter	60 mm
d	60 mm
B	65,1 mm
Z	68,7 mm
A	250 mm
D	140 mm
E	202 mm
F	25,4 mm
G	18 mm
K	29 mm
L	48 mm
S	23 mm
Bolt (G)	M20