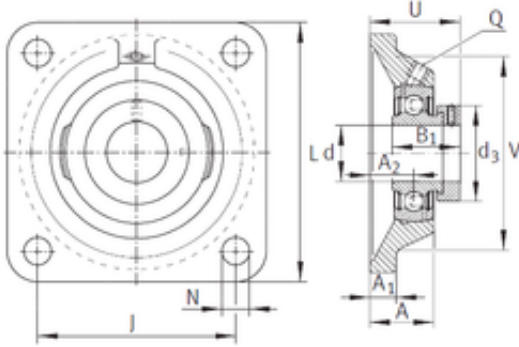




MNT BEARING LTD

INA PCJ1-15/16 Bearing unit



Bearing No. PCJ1-15/16

Bore Diameter	49,213 mm
d	49,213 mm
V	126,009 mm
U	60,808 mm
Thread (Q)	1/8 NPT
d3	69,012 mm
A	42,012 mm
A1	15,011 mm
B	43,713 mm
J	110,998 mm
L	143,002 mm
N	16,993 mm
A2	27,991 mm
Category	Flange Block Bearings
Inventory	0.0
Manufacturer Name	SCHAEFFLER GROUP
Minimum Buy Quantity	N/A
Weight / Kilogram	1.641
Product Group	M06110
Number of Mounting Holes	4
Mounting Method	Eccentric Collar
Housing Style	4 Bolt Square Flange Block
Rolling Element	Ball Bearing
Housing Material	Cast Iron
Expansion / Non-expansion	Non-expansion
Mounting Bolts	0.669 Inch

PCJ1-15/16 Bearing 2D drawings and 3D CAD models



MNT BEARING LTD

Relubricatable	Yes
Insert Part Number	GRA115NPPB
Seals	Double Lip Contact
Housing Configuration	1 Piece Solid
Pilot Configuration	No Pilot
Inch - Metric	Inch
Long Description	4 Bolt Square Flange Block; 1-15/16" Bore; 6.2" Bolt Circle; 4.37" Bolt Spacing; 1 Piece Solid; Eccentric Collar Mount; Cast Iron; Ball Bearing; 1.721" Length Thru Bore; Relubricat
Other Features	Single Row With Set Screw
Category	Flange Block
UNSPSC	31171501
Harmonized Tariff Code	8483.20.40.40
Noun	Bearing
Keyword String	Flanged
Manufacturer URL	http://www.ina.com
Manufacturer Item Number	PCJ1-15/16
Weight / LBS	6.395
Bolt Spacing	4.37 Inch 111 Millimeter
Cartridge Pilot Diameter	0 Inch 0 Millimeter
Bore	1.938 Inch 49.225 Millimeter
Length Thru Bore	1.721 Inch 43.713 Millimeter
Nominal Bolt Circle Diameter Round	6.2 Inch 157 Millimeter
Cartridge Pilot Depth	0 Inch 0 Millimeter