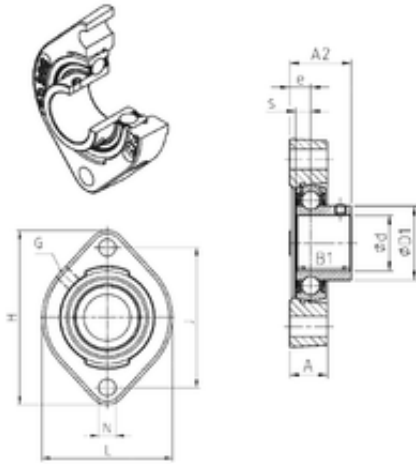




MNT BEARING LTD



SNR USFD204 Bearing unit

Bearing No. USFD204

Bore Diameter	20 mm
d	20 mm
e	9,5 mm
s	7 mm
A	17 mm
B1	25 mm
D1	29 mm
H	90,5 mm
J	71,4 mm
L	66,5 mm
N	9 mm
Thread (G)	M6x1
A2	27,5 mm
Weight	0,4 Kg
Basic dynamic load rating (C)	12,8 kN

USFD204 Bearing 2D drawings and 3D CAD models