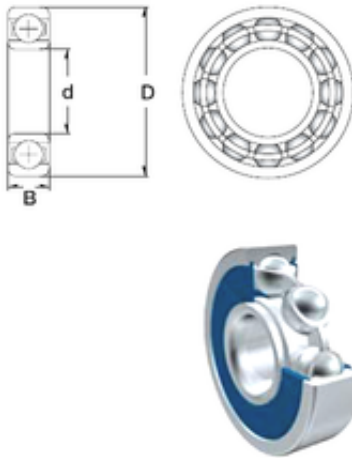




MNT BEARING LTD



85 mm x 180 mm x 41 mm ZEN 6317-2RS Ball bearing

Bearing No. 6317-2RS

Size	85x180x41 mm
Bore Diameter	85 mm
Outer Diameter	180 mm
Width	41 mm
d	85 mm
D	180 mm
B	41 mm
C	41 mm
Weight	4,25 Kg
Basic dynamic load rating (C)	132 kN
Basic static load rating (C0)	96,5 kN

6317-2RS Bearing 2D drawings and 3D CAD models