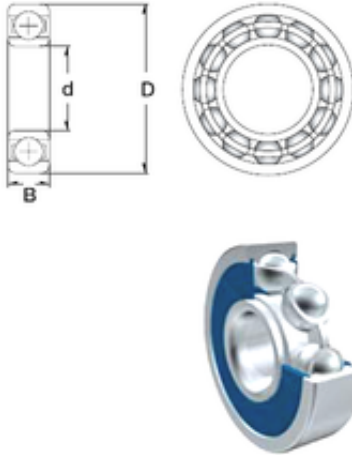




MNT BEARING LTD



110 mm x 150 mm x 20 mm ZEN 61922-2RS
Ball bearing

Bearing No. 61922-2RS

| | |
|-------------------------------|---------------|
| Size | 110x150x20 mm |
| Bore Diameter | 110 mm |
| Outer Diameter | 150 mm |
| Width | 20 mm |
| d | 110 mm |
| D | 150 mm |
| B | 20 mm |
| C | 20 mm |
| Basic dynamic load rating (C) | 43,6 kN |
| Basic static load rating (C0) | 45 kN |
| (Grease) Lubrication Speed | 4000 r/min |

61922-2RS Bearing 2D drawings and 3D CAD models