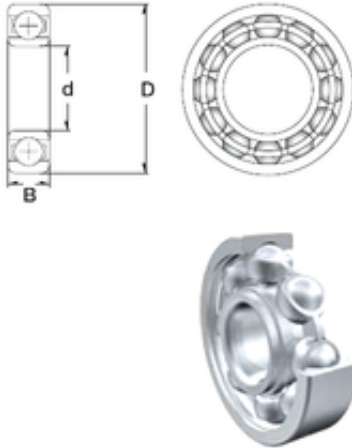




## MNT BEARING LTD



### 60 mm x 85 mm x 13 mm ZEN S61912 Ball bearing

Bearing No. S61912

Size	60x85x13 mm
Bore Diameter	60 mm
Outer Diameter	85 mm
Width	13 mm
d	60 mm
D	85 mm
B	13 mm
C	13 mm
Basic dynamic load rating (C)	20,2 kN
Basic static load rating (C0)	17,3 kN
(Grease) Lubrication Speed	7500 r/min

S61912 Bearing 2D drawings and 3D CAD models