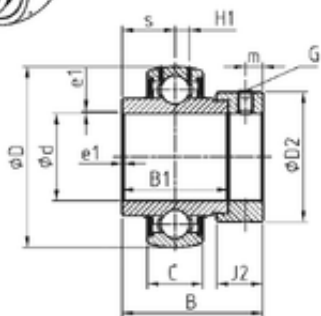




# MNT BEARING LTD



36,5125 mm x 72 mm x 51,1 mm SNR  
EX207-23 Ball bearing

Bearing No. EX207-23

Size	36.5125x72x51.1 mm
Bore Diameter	36,5125 mm
Outer Diameter	72 mm
Width	51,1 mm
d	36,5125 mm
D	72 mm
B	51,1 mm
B1	37,6 mm
C	20 mm
e	1,1 mm
a	3,96875 mm
m	6,5 mm
s	18,8 mm
D2	55,6 mm
H1	5,8 mm
Thread (G) - 5/16-24UNF	5/1624UNF
J2	17,5 mm
Weight	0,58 Kg
Basic dynamic load rating (C)	25,7 kN

EX207-23 Bearing 2D drawings and 3D CAD models