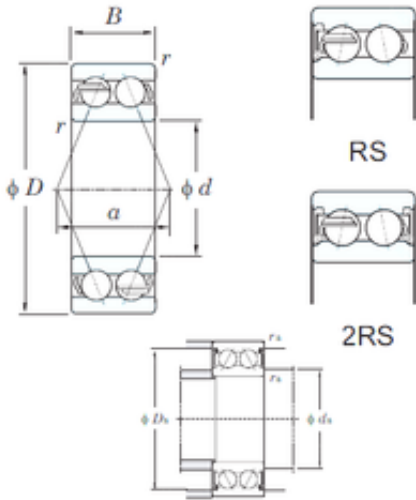




# MNT BEARING LTD



40 mm x 90 mm x 36.5 mm KOYO 5308-2RS  
Angular contact ball bearing

Bearing No. 5308-2RS

Size	40x90x36.5 mm
Bore Diameter	40 mm
Outer Diameter	90 mm
Width	36.5 mm
d	40 mm
D	90 mm
B	36.5 mm
C	36.5 mm
a	44.9 mm
r min.	1.5 mm
da min.	48.5 mm
da max	52.1 mm
Da max.	81.5 mm
ra max.	1.5 mm
Weight	1.05 Kg
Basic dynamic load rating (C)	51.4 kN
Basic static load rating (C0)	37.8 kN

5308-2RS Bearing 2D drawings and 3D CAD models